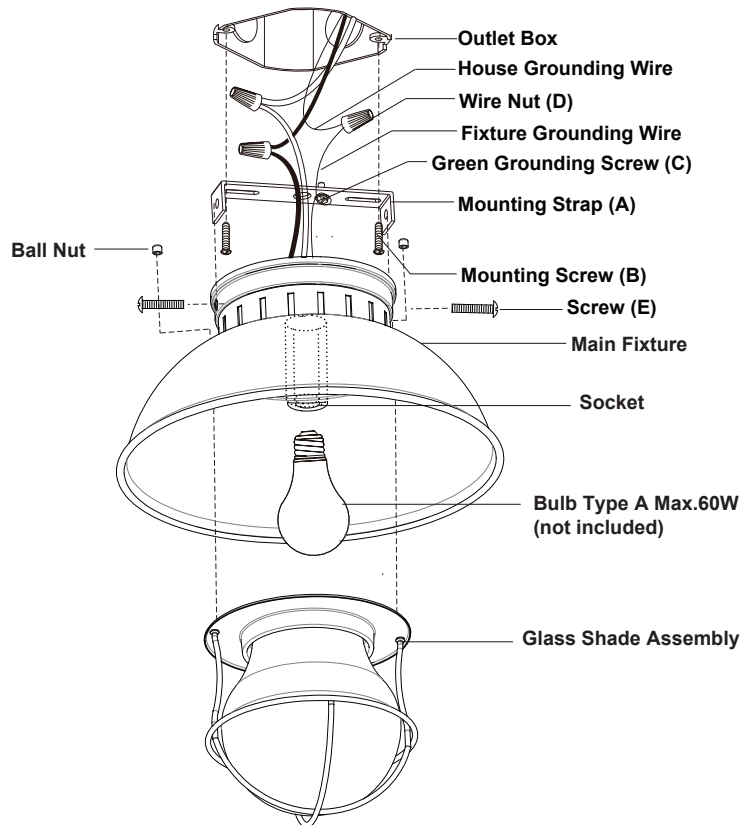
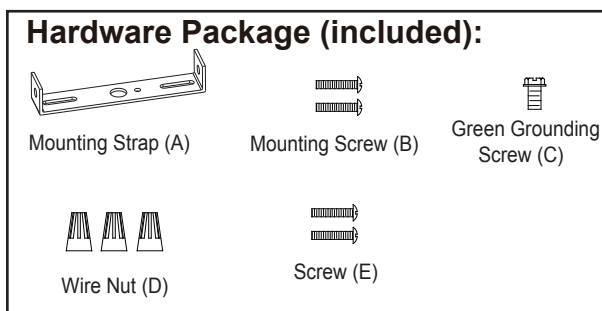


ASSEMBLY AND INSTALLATION INSTRUCTIONS

T0142 / T0143

WARNING: TO AVOID RISK OF ELECTRICAL SHOCK, BE SURE TO SHUT OFF POWER WHILE INSTALLING OR SERVICING THIS FIXTURE.

NOTES: 1. Before installing, consult local electrical codes for wiring and grounding requirements.
2. READ AND SAVE THESE INSTRUCTIONS.



Installation Steps

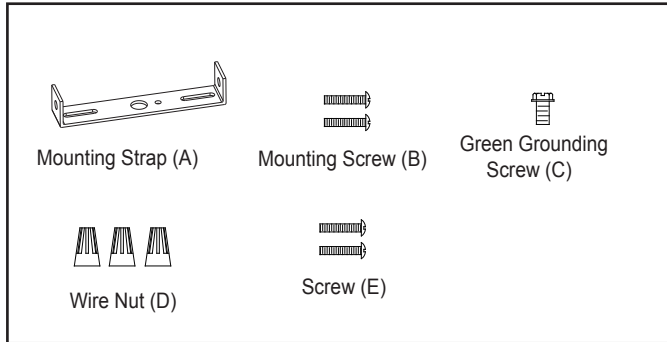
Turn off the power at the main fuse or circuit breaker box.

1. Attach the mounting strap to the outlet box using two mounting screws.
2. Install bulb (not included) into the socket of the fixture body. See relamping label at socket area or package for maximum allowed wattage.
3. Attach the glass shade assembly to main fixture by using two ball nuts .
4. Pull out the wires and grounding wire from the outlet box. Make wire connections using the wire nuts. as follow:
 - Connect the hot wire (usually black insulation) from the fixture to the black wire from the power source.
 - Connect the neutral wire (usually white insulation) from the fixture to the white wire from the power source.
 - Attach the fixture grounding wire (usually green insulation or bare wire) to the mounting strap with the green grounding screw. Then connect it to the house grounding wire with the wire nut.Carefully put the wires back into the outlet box.
5. Attach main fixture to the mounting strap by using two screws.

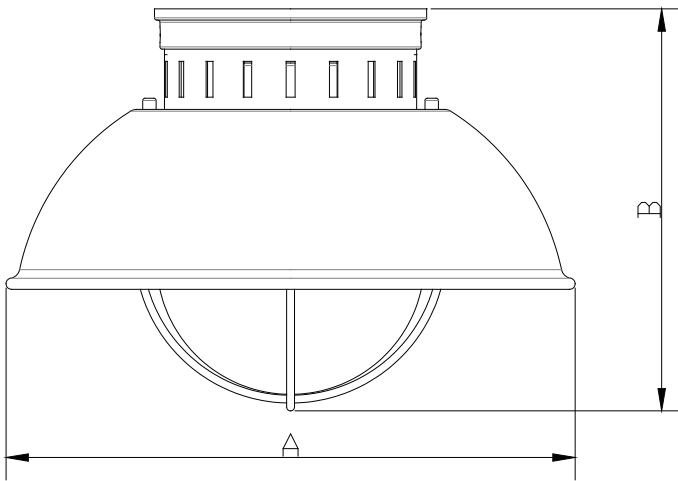
Turn on the power at the main fuse or circuit breaker box.

The following parts are available for re-order if damaged or missing.

Spare Parts List:



→ Assembly Kit
5176MM (1 SET) for T0142
5177MM (1 SET) for T0143



A: 10"
B: 7-3/4"